

Ionizer User Manual

Model 310 / 310A / 310B / 360A

CoreStat® Auto-Balanced Ionization System



Contents

1. Core Insight Introduction
2. Ionization Technology
 - A. Steady State DC Ionization
 - B. AC Ionization
 - C. Bipolar Pulsed AC Ionization
 - D. High Frequency AC Ionization
 - E. Pulsed DC Ionization
3. Application Guide
 - A. Basic ESD Control
 - B. Ionization for CDM/CBE Controls
4. Cautions and Personal Safety
 - A. Cautions
 - B. Personal Safety
5. General Specifications
6. Drawings
7. Setup and Operation
 - A. Contents in the box
 - B. Descriptions for Model 300 Series
 - C. Installation
 - D. Turning on the ionizer
 - E. Alarm
8. Maintenance
9. Warranty and Services

1. CORE INSIGHT INTRODUCTION

Core Insight is an ionization system manufacturer and supplier to ESD and contamination control areas. Core also provide general ESD Test & Measurement, Professional Audit Kits, EMI Noise Filter and Device Testing Equipment for HBM, TLP, VF TLP and CDM. Technical services are ESD Training, Process Assessment, ESD Control Program, Product Qualification Testing per ANSI/ESD Standards, Device Testing and System Level ESD Testing per IEC 61000-4-2.

Core Insight is major ESD distribution supplier in the field of semiconductor, flat panel display, automotive and electronic manufacturing working environment. Core founded in 2003 and represent for Prostat, On-Filter, Monroe Electronics, Electro-Tech Systems, Grund Technical Solutions, Lucas Signatone, SH&A, Dangelmayer Associate etc.

2. Ionization Technology

Core Insight's CoreStat® Auto-Balanced Ionization System is exact same technology of SIMCO-ION (previously as known Ion Systems) which is their exclusive patents has been expired since 2009 and it has open for everybody. CoreStat® is a steady-state DC ionization technology with isolated high voltage section of power supply and maintain intrinsically balanced its offset voltage performance in specification ranges. All of Model 300 series and Model 3000 series ionizers are CoreStat® steady-state DC technology which aren't need adjust ion output for balance performance. It just need periodic cleaning emitter points for maintain decay performance.

Core Insight also offer traditional AC ionization technology for industrial applications such as roll to roll, winding & unwinding of films for static related contamination issues.

Core offer bipolar Pulsed AC ionizers which is lower frequency than conventional AC and output parameters are adjustable for each application such as FPD's manufacturing environment and others.

High Frequency AC is alternative solution for replacement of conventional AC for ESD control application and very small package ionization products. This technology applied lower high voltage level than conventional AC ionizers, but much faster switching time from

16kHz to 70kHz. This can achieve low offset voltage from ionizers and can be use ESD control application areas.

Pulsed DC ionization technology is the strength of Core Insight's ionization products for cleanroom particle contamination controls. There are many forms and configuration in this type of products which improves particle contamination issues in many places such as semiconductor front-end, back-end, flat panel display fab and many other industrial applications.

Core Insight offer several types of Charge Plate Monitor (CPM) or Test Kits for ionizer performance testing of qualification and compliance verification. Monroe Electronics' Model 288 is the latest version of CPM and highly accurate measurement equipment based on the original voltage following technology. Model 300 is cost effective ionizer measurement CPM equipment. Both two CPMs can remotely control and make measurement by software for detail analysis and test result reporting. These two equipment are perfectly compliance to ANSI/ESD STM3.1 standard requirement test.

Also, there are hand-held fieldmeter based test kit which is smaller plater, external charging source and integrated decay timer for compliance verification measurement per ANSI/ESD SP3.3 test requirement.

For more detail information about ionization and its test equipment, please feel free to contact our sales representative at sales@coreinsight.co.kr or local contacts.

3. Application Guide

A. Basic ESD Control

It is mandatory requirements such as personal grounding, ESD safe worksurfaces and use ESD safe packaging material for all electronics industry. These are well known and easy to establish in ESD protected area (EPA) compare with following issues.

B. Ionization for CDM/CBE Controls

Every device has their own ESD sensitivities and they can damage by beyond this sensitivity limits. According to many IC manufacturing suppliers, over 99% of device ESD failures are CDM or CDM like and not HBM or pretty low possibility. Due to automation and device sensitivity continue to lowering, vulnerability of device CDM are increasing. Not only CDM, but also Charge Board Event like ESD issues are increasing due to their complexity and large amount of charge stored on printed circuit board.

There are two strategical guidance has proposed by ESD Association. Lowering device charge level and increase resistance of contact materials are the key strategical elements to prevent ESD damage. As per ANSI/ESD S20.20-2014 latest version described, maximum allowing

field strength is 125V/inch for 200V CDM withstand threshold devices. To achieve this, using proper ionization is important solution to meet these requirements and less CDM/CBE ESD failures in production or field return from customer side.

Core Insight provides the best solution for static related issues with several types of ionization products and systems such as steady-state DC, AC, pulsed AC, high frequency AC and pulsed DC ionizations.

For more detail information about ionization and ESD controls in production, please feel free to contact our sales representative at sales@coreinsight.co.kr or local contacts.

4. Cautions and Personal Safety

A. Cautions

The use of improper input voltage may result in poor performance or damage of the unit.

The transformer should not be operated beyond the specified electrical limits as described in the Specification section of this document.

Damage caused to the transformer from operation in an environment that exceeds the specified limits will void the warranty.

Do not use this blower in an explosive environment. Poorly maintained ionizers could produce minuscule electric arcs at the emitter points. This may cause detonation in an explosive environment.

Damage to the product because of improper wiring connections at rear FMS terminal or failure to heed maximum voltage limits will not be covered by the warranty.

There are no user serviceable parts inside this blower. Any

unauthorized service will void the warranty and may result in additional repair charge.

Before performing any maintenance on emitter points, remove the power plug from the ionizer. Allow a minute for high voltage power supply to discharge.

B. Personal Safety

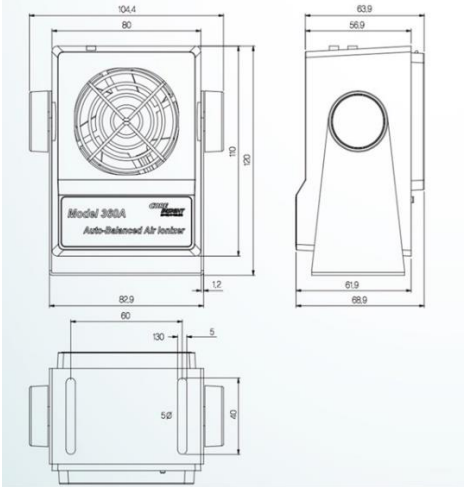
Do not wear wrist straps when access this units for maintenance reason as regular ESD control method and remove power connection from AC line source. Be sure that no wrist strap requires when service access to high voltage operational system.

5. General Specification

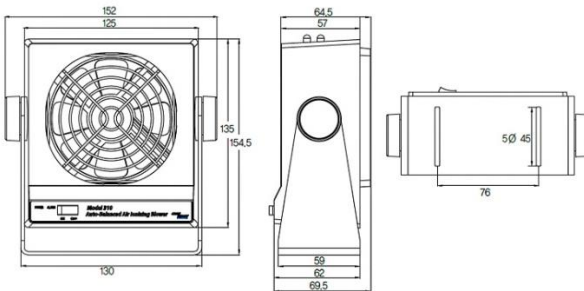
Input Voltage	24V DC
Ion Emission	Steady-State DC Technology
Offset Voltage	Less than 20V
Discharge Time	Less than 3 sec per ANSI/ESD STM3.1
Emitter Points	Tungsten 99.99%
Alarm	Audio/LED Alarm at HV Power Failure
Output	Alarm Relay at HV Power Failure
Air Flow	27 ~ 100 CFM
Material	ABS for Ionizer Enclosures
Operating Environment	Temperature: 15 ~ 35 °C Relative Humidity: 35 ~ 75%
Dimensions (with bracket)	105 W x 120 H x 64 D mm for Model 360A 152 W x 155 H x 70 D mm for Model 310, Model 310A and Model 310B
Weight	335 gram for Model 360A 571 gram for Model 310A and Model 310B 507 gram for Model 310
Warranty	Limited 1 Year

6. Drawings

Model 360A Dimensions



Model 310A/Model 310B Dimensions



Copyright by CORE INSIGHT, INC.

This user manual contents may change without pre-notification.

7. Setup and Operation

A. Contents in the box



Model 360A



Model 310A/B



24V DC Adapter

B. Descriptions for Model 300 Series Ionizers



- 1) Power LED: Green
- 2) Alarm LED: RED, Indicate when failure mode
- 3) Power Switch
- 4) Bracket
- 5) Adjustable Knob
- 6) DC Adapter Receptacle
- 7) Alarm Output FMS Terminal
- 8) DC Input Terminal
- 9) Operating LED: Green
- 10) Alarm LED: RED, Indicate when failure mode

11) Fan Filter Grill

C. Installation

Place the ionizer in the desired location. (See the discharge time performance data on specification for proper reference distance selection). Ionizer is powered by 24V DC and plug adapter into a properly grounded AC receptacle with the correct voltage for your power supply. Connect alarm cable to user monitoring terminal for indicating alarm status monitoring.

D. Turning on the ionizer

Use the on/off switch on the front of the unit or back-side to turn on the ionizer. The green LED will light.

Once the ionizer is powered on, its position may be readjusted to achieve optimum discharge time within the air pattern of the ionizer. To adjust the position of the ionizer, move mounting stand to the desired position and re-tighten the mounting stand.

E. Alarm

In the event of an alarm status, the RED LED on top of the ionizer will light on beside of green LED and activate audio alarm too. An alarm indicates that the ionizer's internal high voltage power circuitry that drives the emitter points

is not functioning correctly. The ionizer's alarm is not a maintenance alarm. In most cases, service will be required by manufacturer.

Before contacting manufacturer for service, make sure that the ionizer is receiving proper input voltage per specifications.

8. Maintenance

The performance of the ionizer is designed to be maintained primarily by the internal circuitry. Occasional cleaning of the case and emitter points is the only routine maintenance required. No calibration adjustment of the ionizer is required after cleaning.

A. Recommended Cleaning Materials:

- 1) Cleanroom-compatible cleaning cloths (polyester cloth is recommended)
- 2) Cleanroom-compatible swabs
- 3) Cleanroom solution of 50% IPA (electronic-grade isopropanol) / 50% de-ionized water

B. Cleaning inside of Enclosures

Moisten a cloth with the IPA solution. Wipe off any dirt that may have accumulated inside of the unit.

C. Cleaning the Emitter Points

Turn off the unit. Normally, the emitter points can be cleaned by using a jet of compressed air to blow off any dirt that may have accumulated on them. A swab moistened with the IPA solution may be used if required. If using a swab, gently wipe the tips of the emitter points until the dirt is removed. After cleaning make sure that the emitter point need to dry out about 20 minute.

9. Warranty and Service

Core Insight, Inc. provides a limited warranty for all ionizers. New products manufactured or sold by Core are guaranteed to be free from defects in material or workmanship for a period of defined schedules from the date of initial shipment. Core's liability under its new product warranty is limited servicing (evaluating, repairing or replacement) any unit returned from customers that has not been subjected to misuse, neglect, lack of routine maintenance, repair, alteration or accident. In no event shall Core be liable for collateral or consequential damages.

To obtain service under this warranty, please contact sales representative at sales@coreinsight.co.kr or local contacts.